

CanOpen to Modbus Master TCP

To obtain the complete manual please go to

www.adfweb.com/download

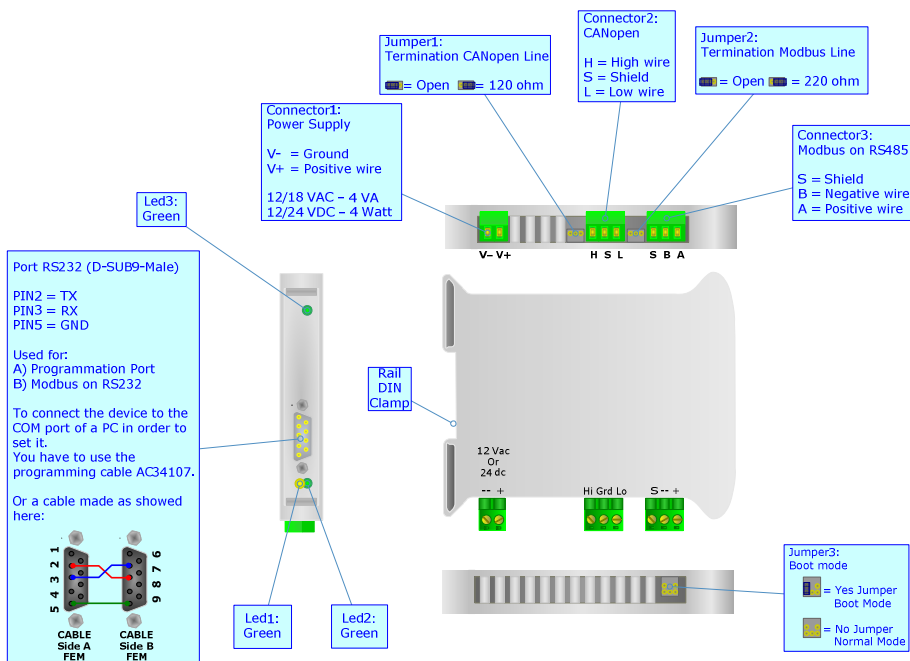
OR

www.adfweb.com/download/filefold/Canopen_Modbus_Client_TCP_MN67004_ENG.pdf

To obtain the new version of this box sheet please go to

http://www.adfweb.com/download/filefold/BS67004_ENG.pdf

CONNECTION SCHEME



THE CONFIGURATION SOFTWARE:

For setting up the device you need the software named SW7004. To obtain the software please go to

<http://www.adfweb.com/download>

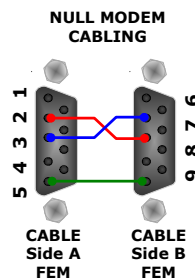
OR

<http://www.adfweb.com/download/filefold/SW67004.zip>

CHARACTERISTICS OF THE CABLES:

The connection from RS232 socket to a serial port must be made with a NULL MODEM cable (a serial cable where the pins 2 and 3 are crossed).

It is recommended that the RS232C Cable not exceed 15 meters.



ADFweb.com s.r.l.
 www.adfweb.com
 info@adfweb.com
 support@adfweb.com