

EXTERNAL LINKS

HD67741-A1



QR of Manual

[www.adfweb.com/download/
filefold/MN67741_ENG.pdf](http://www.adfweb.com/download/filefold/MN67741_ENG.pdf)



QR of Box-Sheet

[www.adfweb.com/download/
filefold/BS67741-A1_ENG.pdf](http://www.adfweb.com/download/filefold/BS67741-A1_ENG.pdf)



QR of Software

[www.adfweb.com/download/
filefold/SW67741.zip](http://www.adfweb.com/download/filefold/SW67741.zip)

HD67741-A1

BOX SHEET

**IEC61850 Server / DeviceNet Master
Converter**

Box Sheet for Order code: HD67741-A1
Document code: BS67741-A1
V1.000



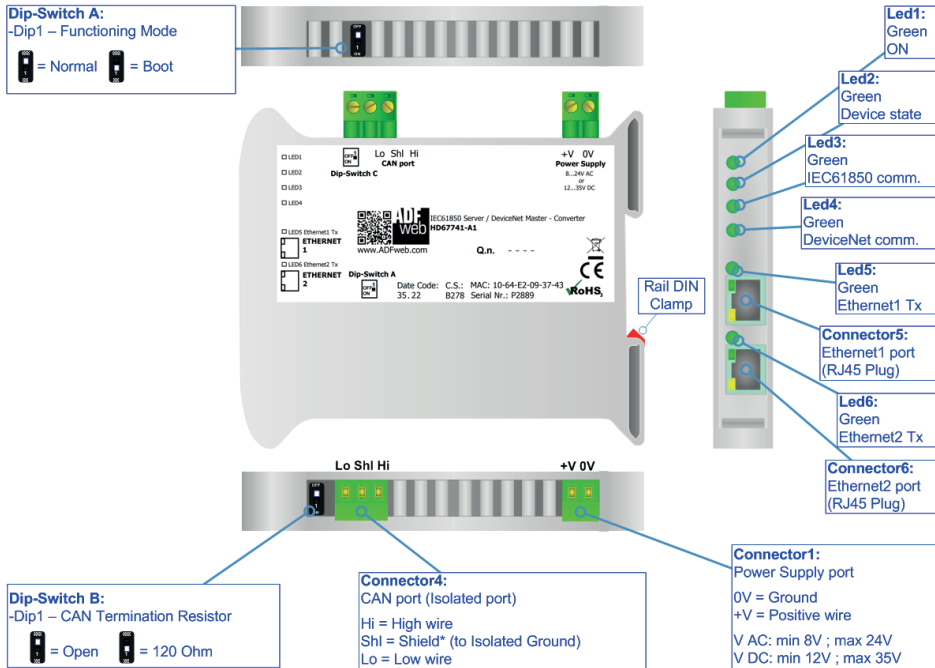
ADFweb.com srl

Strada Nuova, 17, IT-31010 Mareno di Piave, Treviso - Italy

www.ADFweb.com

CONNECTION SCHEME

Order code: HD67741-A1



Order code: HD67741-A1