



QR of Manual

[www.adfweb.com/download/
filefold/MN67E01_ENG.pdf](http://www.adfweb.com/download/filefold/MN67E01_ENG.pdf)



QR of Box-Sheet

[www.adfweb.com/download/
filefold/BS67E01-5-A1_ENG.pdf](http://www.adfweb.com/download/filefold/BS67E01-5-A1_ENG.pdf)



QR of Software

[www.adfweb.com/download/
filefold/SW67E01.zip](http://www.adfweb.com/download/filefold/SW67E01.zip)

HD67E01-5-A1

BOX SHEET

**EtherCAT Slave / Modbus master
Converter**

Box Sheet for Order code: HD67E01-5-A1
Document code: BS67E01-5-A1
V1.000



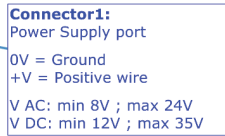
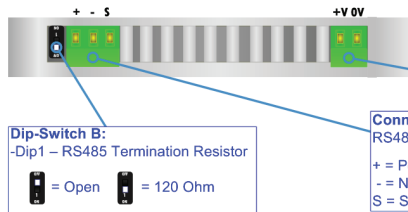
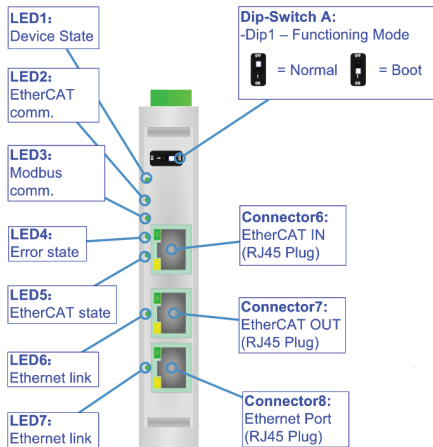
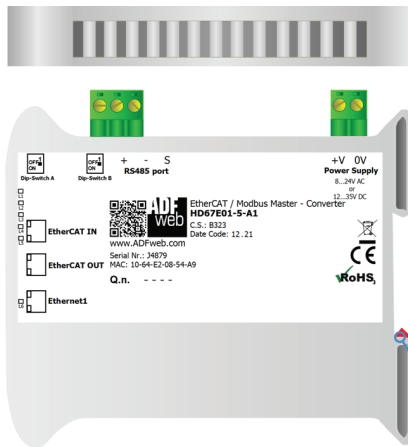
ADFweb.com srl

Strada Nuova, 17, IT-31010 Mareno di Piave, Treviso - Italy

www.ADFweb.com

CONNECTION SCHEME

Order code: HD67E01-5-A1



Order code: HD67E01-5-A1